

Product: KLUDI FLEXX.BOXX concealed bath/shower mixer EHM DN 20

Ref.: 88077

Product description

concealed bath/shower mixer EHM DN 20
 pre-installation set
 in-wall installation
 flow class D C
 ceramic cartridge with hot water safety device
 with one-piece elastomer casing
 with protection cap
 mounting-depth-compensation
 with tight gasket
 copper dezincification resistance
 noise group I, PA- IX 18967 / IDC
 Optimal function only in combination with KLUDI products
 SVGW approval no. 0902 - 5519

Advertisement

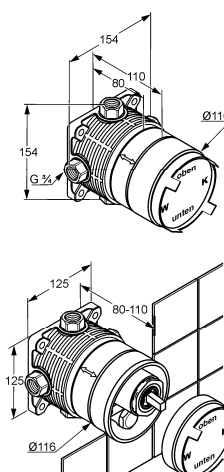
- * KLUDI GmbH & Co KG KLUDI FLEXX.BOXX concealed bath/shower mixer EHM item no. 88077
- ** ceramic cartridge with hot water safety device Ø 41 mm, DIN EN 817
- *** brass dezincification resistance, AS/NZS 2345
- **** protected against back flow (with wall supply 6306105-00 and pipe interrupter 1072200-00) pipe interrupter only for use with bath filling waste and overflow sets

concealed bath/shower mixer, manufacturer KLUDI GmbH & Co KG KLUDI FLEXX.BOXX concealed bath/shower mixer EHM item no. 88077, DN 20, brass dezincification resistance, ceramic cartridge with hot water safety device Ø 41 mm, noise level DIN 4109 group I, report no. PA-IX 18967/I DC, flow class D C (max. 0,40 l/s), installation depth 80 till 110 mm, type: concealed bath/shower mixer DN 20, body isolate to noise and temperature, with one-piece elastomer casing, with protection cap, with tight gasket, protected against back flow DIN EN 1717 with wall supply 6306105-00 for use as shower mixer, for use as bath/shower mixer with bath filling waste- and overflow set only with pipe interrupter 1077200-00 (with DVGW approval), connection 3/4 inch, for pressure type water heater, continuous line heater, PN 10, Optimal function can only guaranteed in combination with KLUDI products, SVGW approval no. 0902 - 5519

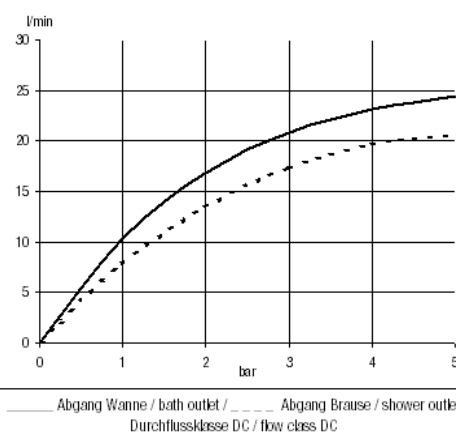
Product picture



Dimensional drawing



Flow rate diagram



Product: **KLUDI FLEXX.BOXX concealed mixer THM DN 20**

Ref.: **88066**

Product description

concealed mixer THM DN 20
 pre-installation set
 without trim set
 in-wall installation
 flow class CC
 with Therm-E cartridge
 one-piece elastomer casing
 with protection cap
 mounting-depth-compensation 30 mm
 with tight gasket
 copper dezincification resistance
 noise group II, P- IX 18444/IICC
 Optimal function only in combination with KLUDI products

Advertisement

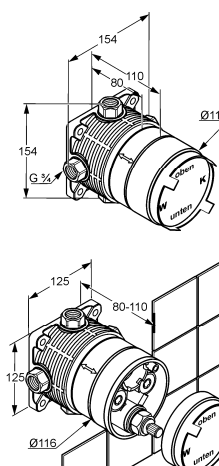
- * Kludi GmbH & Co KG KLUDI FLEXX.BOXX concealed mixer THM DN 20 item no. 88066
- ** thermostat control unit, DIN EN 1111
- *** copper dezincification resistance, DIN 50930-6

concealed mixer THM, manufacturer / type Kludi GmbH & Co KG Kludi FLEXX.BOXX concealed mixer THM item no. 88066, DN 20, copper dezincification resistance, for installation depth 80 to 110 mm, thermostat control unit, type: concealed mixer THM DN 20, flow class C C (max. 0,40 l / s), noise level DIN EN 4109 group I, report no. P-IX 18444/IICC, body isolate to noise and temperature, with one-piece elastomer casing, with tight gasket, protection against back flow DIN EN 1717 with wall supply 6306105-00 for use as thermostat shower mixer, protection in accordance to DIN EN 1717 only with pipe interrupter 1077200-00 (DVGW-approval) for use as thermostat-bath/shower mixer in combination with bath filling waste and overflow sets, with dirt-catcher sieve, connection 3/4 inch, with back flow prevention device, for trim sets: .. 820.. und ..825 .. (KIDÓ, AMPHORA, JOOP!, NEW WAVES, OBJEKTA MIX NEW/KLUDI MX, O-CEAN/ZENTA), for pressure type water heater, for continuous line heater, PN 10, Optimal function can only guaranteed in combination with KLUDI products

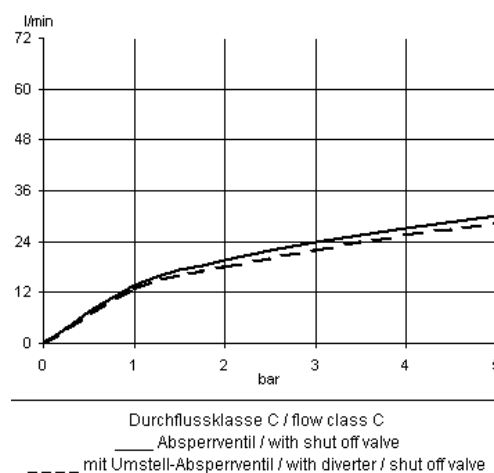
Product picture



Dimensional drawing



Flow rate diagram



Product: KLUDI BALANCE concealed shower mixer, trim set

Ref.: 527180575

Product description

concealed shower mixer
concealed trim set
solid lever
for KLUDI FLEXX.BOXX 88077 or
concealed body 33434

Finishes:
05 chrome

Product picture

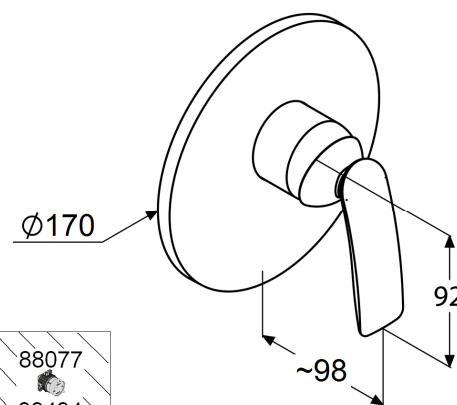


Advertisement

- * KLUDI GmbH & Co KG KLUDI BALANCE concealed shower mixer item no. 527180575
- ** chrome plated brass/plastic
- *** trim set for concealed bath/shower mixer DN 20 KLUDI FLEXX.BOXX item no. 88077 or concealed bath/shower mixer DN 15 item no. 33434

concealed shower mixer, manufacturer KLUDI GmbH & Co KG KLUDI BALANCE concealed shower mixer item no. 527180575, type: concealed shower mixer trim set for pre- installation concealed bath/shower mixer KLUDI FLEXX.BOXX EHM DN 20 item no. 88077 or concealed bath/shower mixer DN 15 item no. 33434, finishes: 05 = chrome plated brass, solid lever, wall flange chrome plated plastic, lever projection 92 mm, diameter wall flange 170 mm, for pre- installation concealed bath/shower mixer KLUDI FLEXX.BOXX EHM DN 20 item no. 88077 or concealed bath and shower mixer DN 15 item no. 33434, without extension set: 7440005-00 30 mm for 88077 or 7423305-00 30 mm for 33434, protection against back flow look at pre- installation set FLEXX.BOXX 88077 or 33434, Optimal function only in combination with KLUDI products,

Dimensional drawing



Product: KLUDI ZENTA concealed shower mixer, trim set

Ref.: 38860..75

Product description

concealed shower mixer
concealed trim set
solid lever
for KLUDI FLEXX.BOXX 88077 or
concealed body 33434

Finishes:
05 chrome
86 chrome/black
91 chrome/white

Product picture

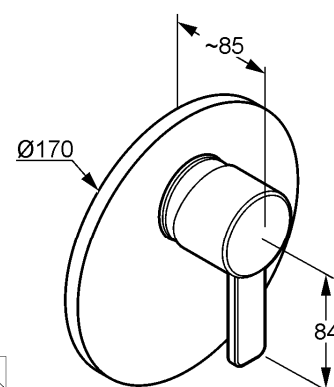


Advertisement

- * KLUDI GmbH & Co KG KLUDI ZENTA concealed shower mixer item no. 38860..75
- ** metal/plastic
- *** trim set for concealed bath/shower mixer DN 20 KLUDI FLEXX.BOXX EHM item no. 88077 or concealed bath/shower mixer DN 15 item no. 33434

concealed shower mixer, manufacturer KLUDI GmbH & Co KG KLUDI ZENTA concealed shower mixer item no. 38860..75, type: concealed shower mixer trim set for pre-installation concealed bath/shower mixer KLUDI FLEXX.BOXX EHM DN 20 item no. 88077 or concealed bath/shower mixer DN 15 item no. 33434, finishes: 05 chrome; 86 chrome/black; 91 chrome/white plated, solid lever, wall flange .. plated plastic, lever projection 77 mm, diameter wall flange 170 mm, as trim set for pre-installation concealed bath/shower mixer KLUDI FLEXX.BOXX EHM DN 20 item no. 88077 or concealed bath and shower mixer DN 15 item no. 33434, without extension set: 7440005-00 30 mm for 88077 or 7423305-00 30 mm for 33434, protection against back flow look at pre- installation set KLUDI FLEXX.BOXX 88077 or 33434, without flushing set 7440400-00,

Dimensional drawing



Product: KLUDI O-CEAN concealed shower mixer, trim set

Ref.: 387600575

Product description

concealed shower mixer
 concealed trim set
 solid lever
 for KLUDI FLEXX.BOXX 88077 or
 concealed body 33434

Finishes:
 05 chrome

Product picture

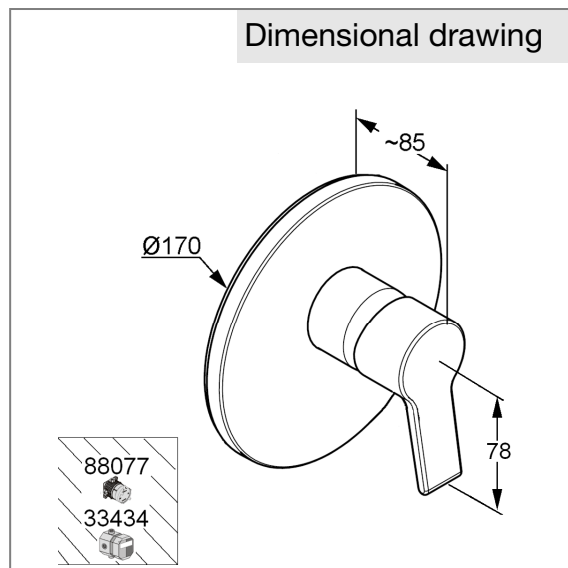


Advertisement

- * KLUDI GmbH & Co KG KLUDI O-CEAN concealed shower mixer trim set item no. 387600575
- ** chrome plated brass/plastic
- *** trim set for concealed bath/shower mixer DN 20 KLUDI FLEXX.BOXX EHM item no. 88077 or concealed bath/shower mixer DN 15 item no. 33434

concealed shower mixer, manufacturer KLUDI GmbH & Co KG KLUDI O-CEAN concealed shower mixer trim set item no. 387600575, type: concealed shower mixer trim set for pre- installation concealed bath/shower mixer KLUDI FLEXX.BOXX EHM DN 20 item no. 88077 or concealed bath/shower mixer DN 15 item no. 33434, solid lever, wall flange chrome plated plastic, lever projection 78 mm, diameter wall flange 170 mm, for pre- installation concealed bath/shower mixer KLUDI FLEXX.BOXX EHM DN 20 item no. 88077 or concealed bath and shower mixer DN 15 item no. 33434, without extension set: 7440005-00 30 mm for 88077 or 7423305-00 30 mm for 33434, protection against back flow look at pre- installation set KLUDI FLEXX.BOXX 88077 or 33434, without flushing set 7440400-00,

Dimensional drawing



Product: KLUDI ZENTA concealed bath/shower mixer, trim set

Ref.: 38660..75

Product description

concealed bath/shower mixer
 concealed trim set
 solid lever
 automatic diverter: shower to bath tub
 for KLUDI FLEXX.BOXX 88077 or
 concealed body 33434

Finishes:
 05 chrome
 86 chrome/black
 91 chrome/white

Advertisement

- * KLUDI GmbH & Co KG KLUDI ZENTA concealed bath/shower mixer item no. 38660..75
- ** chrome plated brass/plastic
- *** trim set for concealed bath/shower mixer KLUDI FLEXX.BOXX DN 20 item no. KLUDI 88077 or concealed bath/shower mixer DN 15 item no. 33434

concealed bath/shower mixer, manufacturer KLUDI GmbH & Co KG KLUDI ZENTA concealed bath/shower mixer item no. 38660..75, type: concealed bath/shower mixer trim set for pre- installation set KLUDI FLEXX.BOXX DN 20 item no. 88077 or pre- installation set DN 15 item no. 33434, finishes: 05 chrome; 86 chrome/black; 91 chrome/white plated, solid lever, wall flange .. plated plastic, automatic diverter: shower to bath tub, lever projection 77 mm, diameter wall flange 170 mm, for concealed pre- installation bath/shower mixer KLUDI FLEXX.BOXX item no. 88077 or concealed pre- installation bath/shower mixer item no. 33434, without extension set: 7440005-00 30 mm for 88077 or 7423305-00 for 33434, protection against back flow look at pre- installation set FLEXX.BOXX 88077 or 33434, without flushing set 7440400-00, Optimal function only in combination with KLUDI products,

Product picture



Dimensional drawing

